

**CLV**

Pneumatic Torque Multiplier

## Applications

- Pneumatic torque multipliers for torques up to 3,460 Nm.
- Multiple fastening connections and series assembly in semi-automatic operations.
- Perfect for bolted applications in hazardous, explosive environments.

## Advantages

- **Permanently higher joint quality** (compared to impact and hydraulic wrenches) by continuous rotation of the square drive.
- **Concurrent, even bolted connection**, crosswise with several **alkitronic®CLV** torque multipliers.
- **Comfortable remote control** for right-left rotation.
- **Low noise emission** by integrated muffling.

## alkitronic® specials

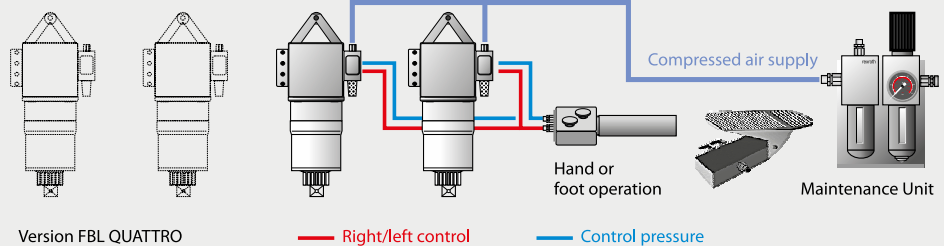
- Universal valve block for pneumatic steering according to specific requirements.
- Robust pneumatic drive with sophisticated high-performance gear, reliably used around the world .
- **alkitronic®CLV remote systems** for one to four **CLV** torque multipliers.
- **alkitronic® exhaust system** for a workplace without air swirls (optional).



### alkitronic® CLV Remote Systems

Chart:  
**FBL DUO** for two **CLV** torque multipliers

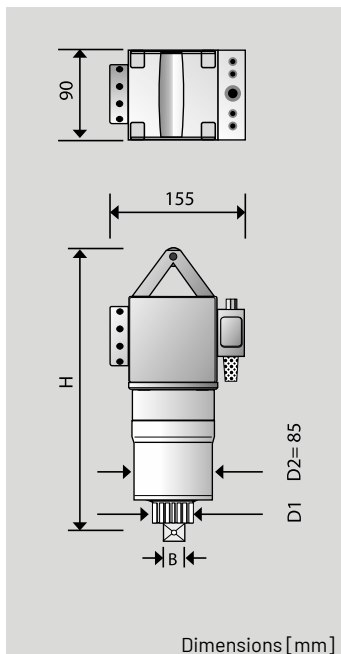
The **FBL QUATTRO** version for four **CLV** torque multipliers more details on request.



### Technical data: Models CLV

Type		CLV 15	CLV 25	CLV 35	CLV 45	CLV 75	CLV 95	CLV 135	CLV 175	CLV 255	CLV 315
Torque range (approx.) *	Nm	60-220	90-280	130-400	160-500	300-900	360-1100	490-1450	650-1900	900-2700	1200-3500
Square drive	B	1/2" / 3/4"	1/2" / 3/4"	3/4"	3/4"	3/4"	3/4"	1"	1"	1"	1"
Diameter (approx.)	D <sub>1</sub>	mm	41	41	41	41	41	54	54	54	54
Height (approx.)	L	mm	296	296	296	296	318	318	320	340	372
Weight without DMA (approx.)	kg		5.5	5.5	6	6	6.5	6.5	6.5	7	7
Idle speed	rpm		60	38	34	27	19	13	9	7	6

\*) When loosening a bolted connection, up to 20% higher torque may be required (loosening torque). We will gladly advise you in detail.



### Specifications

Prerequisites for best work with the indicated torques are an operating pressure of 2-7 bar at a volume flow of approx. 10-15 l/s. The torque accuracy depends on the stability of the supply system. The torque control of the pneumatic **alkitronic®** torque multiplier takes place via the air supply or pressure regulator of the Maintenance Unit.

#### Accessories:

Maintenance Unit, complete with filter, regulator, oiler and 5m hose, incl. couplings.



alki TECHNIK GmbH reserves the right to change specifications without prior notice



**alkitronic® CLV** operating in a preassembly and final assembly workstation. Remote controlled continuous tightening in semi-automatic operation.

**alkitronic®**  
HOME OF TORQUE POWER

**alkitronic®** products  
Made in Germany by

**alki TECHNIK GmbH**  
Development, Production and  
Distribution of Bolting Systems

Unterlettenweg 4  
85051 Ingolstadt  
Germany

fon +49 841 97499-0  
fax +49 841 97499-90

info@alkitronic.com  
www.alkitronic.com