

### Applications

- **alkitronic® EAW:** Battery powered 2-speed torque multiplier for torques from 90 Nm to 4,000 Nm. Angled design with high operating comfort.
- **Mobile and always ready for use:** Compact design for convenient working in limited spaces or without power supply.
- **Extremely short fastening cycles:** Fast gear for run down and power gear for highest torques and precision.
- **Efficient operation:** Fast and easy gear-changing, great torque range - each gear has eleven torque values to choose from.

### Advantages

- **Low running costs:** The low-wear, brushless, synchronous motor is maintenance free.
- **Health-preserving:** Low weight, ergonomically designed, low noise emissions. No noise protection necessary.
- **High performance:** Two lithium-ion battery packs ensure up to 360 screw joints in a row. Each battery features an LED charge level indicator.
- **Exact shut-off torque even at low battery levels.**

### alkitronic® specials

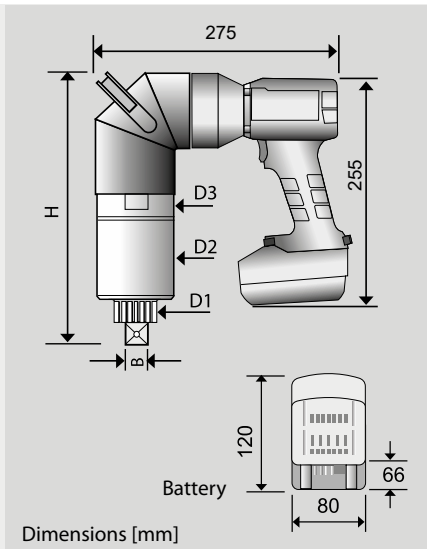
- **Very low repair requirements:** Robust motor housing made of special polymer. It is break-proof, impact-proof, and resistant to corrosion.
- **Angle-drive with optimised efficiency and great running characteristics.**
- **Intelligent energy management:** Smart electronics protect every battery cell from overcharging and depth discharge.



#### Technical Data: alkitronic® EAW Models

Type		EAW2 / 80	EAW2 / 150	EAW2 / 200	EAW2 / 280	EAW2 / 300	EAW2 / 400
Torque range (approx.) *	Nm	115-860	150-1400	250-2200	300-2800	360-3200	500-4100
	lbf.ft	85-635	110-1030	185-1620	220-2065	265-2360	370-3025
Square drive	B	3/4"	3/4"	1"	1"	1"	1 1/2"
Diameter (approx.)	D <sub>1</sub>	mm	41	41	54	54	72
Diameter (approx.)	D <sub>2</sub>	mm	85	85	85	85	93
Diameter (approx.)	D <sub>3</sub>	mm	88	88	88	88	97
Height (approx.)	H	mm	250	250	295	305	310
Weight without DMA (approx.) **	kg	7,5	7,5	9,0	9,5	9,5	11,2
Idle speed 1 <sup>st</sup> gear	rpm	7,0	4,0	2,0	1,7	1,5	1,0
Idle speed 2 <sup>nd</sup> gear	rpm	24,0	13,0	6,5	6,0	5,0	4,0

\* When loosening bolts, a higher torque (up to 20 %) may be necessary (release torque). We will be pleased to help you with your choice. \*\* Torque reaction arm



**alkitronic®**  
TORQUE POWER WORLDWIDE

alkitronic® products  
Made in Germany by

**alki TECHNIK GmbH**  
Development, Production and  
Distribution of Bolting Systems

Unterlettenweg 4  
85051 Ingolstadt  
Germany

fon +49 841 97499-0  
fax +49 841 97499-90

info@alkitronic.com  
www.alkitronic.com