

N-Tools

Torque Multipliers for
Mining Trucks



Applications

Pneumatic and electric torque multipliers for continuous rotation by tightening or loosening hard-to-reach, heavy-duty bolted connections, and deep-bed rims of heavy vehicles (mining industry). Torques from 100 Nm up to 3,500 Nm, dependent on type.

Advantages

- Economic, safe operation. **No weather-related costly downtime.**
- **Comfortable to operate.** The motor unit can be rotated 360 degrees. One handed operation with CW/CCW.
- Permanently higher joint quality (compared to impact and hydraulic wrenches) by continuous rotation of the square drive.
- Heavy duty, rugged housing made of cast aluminum. **EA2-N** motor housing made of special polymer: break-proof, and resistant to corrosion.

EFCip-N, Models with protection class IP 54:

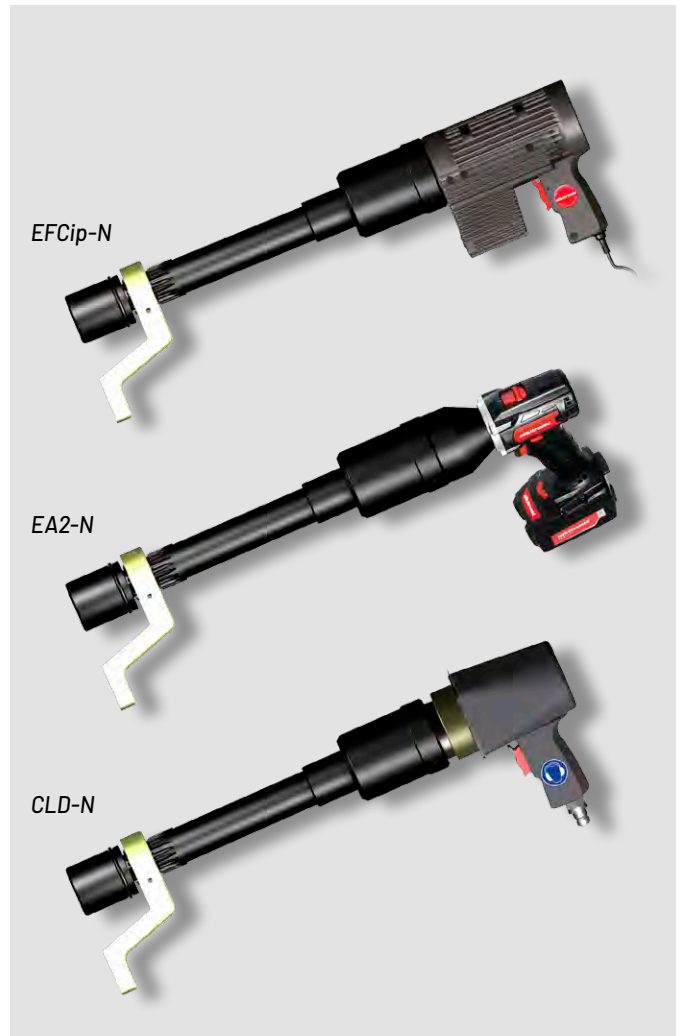
- **Low running costs.** Maintenance-free, brushless, synchronous motor.
- **Easy connection** to all international power grids, **no adjustments** necessary.

EA2-N, Li-Ion battery driven 2-speed models with release function:

- **Low weight**, ergonomically designed, low noise emissions.
- **No noise protection** necessary.

CLD-N, pneumatic driven Models:

- Ideal for use in explosion-proof working environment.
- World proven reliable pneumatic drive motor.



alkitronic® specials

EFCip-N: Precise shut-off torque and constant torque accuracy at 100-253V / 45-66 Hz, even when operating on mobile units.

EA2-N with two battery packs ensure up to 360 screw joints in a row.

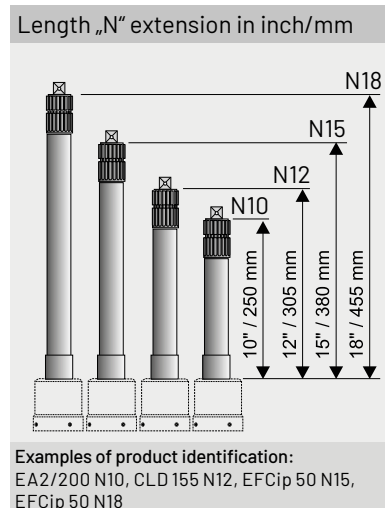
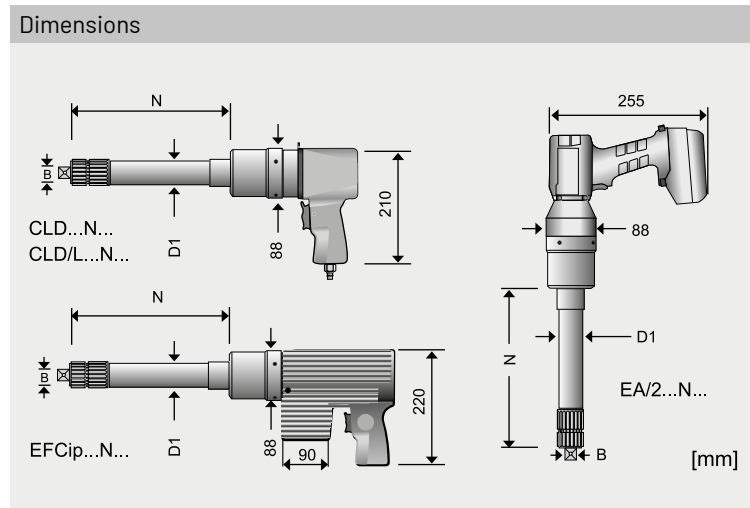
Pneumatic driven models: **ATEX** approval on request.

Technical Data

Drive	electric						electric (battery)					pneumatic **				
Model N-Tool (-N)	EFCip30	EFCip40	EFCip50	EFCip60	EFCip65	EA2/80	EA2/100	EA2/150	EA2/200	EA2/280	CLD/L5	CLD/L6	CLD155	CLD225	CLD280	
Torque range * Nm	100-940	150-1450	190-1850	250-2350	290-2900	190-850	130-1100	150-1400	250-2200	300-2800	365-1080	495-1450	600-1700	900-2700	1200-3500	
Square drive B	3/4"	3/4"	1"	1"	1"	3/4"	3/4"	3/4"	1"	1"	3/4"	3/4"	1"	1"	1"	
Diameter (approx.) D ₁ mm	46	46	56	56	56	46	46	46	56	56	46	46	56	56	56	
Length extension N.. inch (e.g. EFCip30 N12)	N 12	N 12	N10 N12 N15 N18	N10 N12 N15 N18	N10 N12 N15 N18	N 12	N 12	N 12	N10 N12 N15 N18	N10 N12 N15 N18	N 12	N 12	N10 N12 N15 N18	N10 N12 N15 N18	N10 N12 N15 N18	
Idle speed 1 st Gear/2 nd Gear rpm	30	15	14	11	8	7 24	6 20	4 13	2 6.5	1.7 6	16	12	7	5	4	

*) When loosening bolts, a higher torque (up to 20 %) may be necessary (release torque). We will gladly advise you in detail.

**) Prerequisites for best work with the indicated torques are an operating pressure of 2-7 bar at a volume flow of approx. 10-15 l/s. The torque accuracy depends on the stability of the supply system.



alkitronic®
HOME OF TORQUE POWER

alkitronic® products
Made in Germany by
alki TECHNIK GmbH
Development, Production and
Distribution of Bolting Systems

Unterlettenweg 4
85051 Ingolstadt
Germany

fon +49 841 97499-0
fax +49 841 97499-90

info@alkitronic.com
www.alkitronic.com