

**EAB/
CLB**

Thread Cleaner



fast, light-weight, efficient

Applications

- Soiled or corroded threads prevent accurate torque values.
- **alkitronic® thread cleaner** thoroughly cleans bolts, screws and nuts.
- The Thread Cleaner is available battery-powered or air-power driven: **alkitronic® EAB** and **alkitronic® CLB**.
- Universal application fields for inspection works and machine construction in general: automotive industry, construction machinery industry, chemical industry, mining and metallurgical industry, maintenance and transport services, power stations, shipyards, construction of heavy industry, steel skeleton construction, transport of heavy goods, transportation, public utilities, supplies.

Advantages

- **Avoids high-cost**, messy, labour-intensive conventional working methods.
- Interchangeable brass or steel brushes **make cleaning bolts of various sizes easier**.
- **Secure, fast, constant careful**, cleaning of bolt surfaces.
- **Light-weight, compact design**, with integrated dirt trap.
- Efficient, metal-fatigue free operation.

alkitronic® specials

alkitronic® EAB

- Low weight, ergonomic design, no noise protection necessary.
- **High-performance**: two Lithium-ion battery packs ensure a large number of cleaning cycles.
- **Very low susceptibility to damage or failure**: robust motor housing made of special polymer, break-proof, impact-proof and resistant to corrosion.
- **Handy and always ready for use**: convenient for working in limited spaces or lack of power supply.

alkitronic® CLB

- **Unbreakable**: cast aluminium motor housing with proven pneumatic drive.
- **Simple 1-finger operation** for cw and ccw rotation.



alkitronic® EAB battery pack

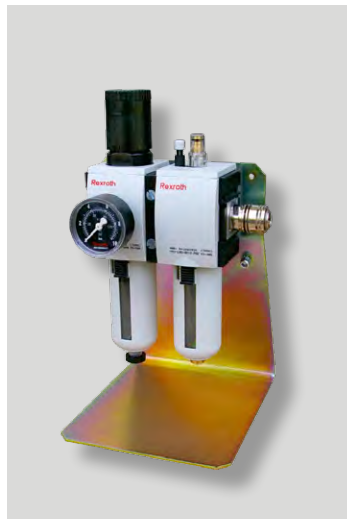
The integrated electronics protects each battery cell from overload and discharge. LED charge status display directly on the battery.



Included in the scope of delivery:
2 lithium-ion battery packs 18 V, 5.2 Ah incl. battery charger.

alkitronic® CLB

Speed resp. torque control is adjustable via air supply and pressure regulator of the maintenance unit.



Accessories:
Maintenance unit consisting of: filter, regulator, lubricator, and 5 m hose incl. nipples and couplings.

Product information alkitronic® CLB

For fast and reliable operation, we recommend an air pressure of 2-7 bar and air volume of 10-15 l/sec.



alkitronic® EAB / CLB Thread Cleaner



Accessories / Technical Data

Brushes and guide plates

Brushes for external thread in steel (6 brushes). Brushes in brass available option.

| Bolts \varnothing | Type | Ref. No. |
|---------------------|-----------------|----------|
| 16-18 mm | Brush-ST-1.4401 | 18006 |
| | Guide Plate | 18026 |
| 20-24 mm | Brush-ST-1.4401 | 18005 |
| | Guide Plate | 18025 |
| 27-30 mm | Brush-ST-1.4401 | 18004 |
| | Guide Plate | 18024 |
| 33-36 mm | Brush-ST-1.4401 | 18003 |
| | Guide Plate | 18023 |
| 39-42 mm | Brush-ST-1.4401 | 18002 |
| | Guide Plate | 18022 |
| 45-48 mm | Brush-ST-1.4401 | 18001 |
| | Guide Plate | 18021 |

Brush Set

Brush set for external threads, consisting of 6x6 brushes incl. 4 guide plates.

| Bolts \varnothing | Type | Ref. No. |
|---------------------|---------------------|----------|
| 16-48 mm | Brush Set-ST-1.4401 | 18010 |

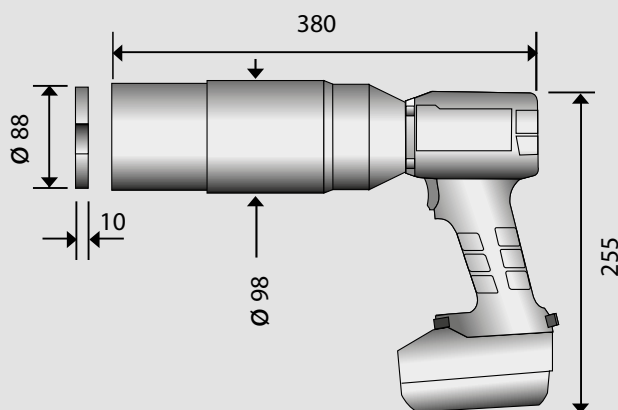
alkitronic® Thread Cleaner

| Type | Drive | Ref. No. | Operating Range |
|------|---------------|----------|-----------------|
| EAB | Battery motor | 18050 | 135 mm |
| CLB | Air motor | 18061 | 135 mm |

Brushes for cleaning of internal threads

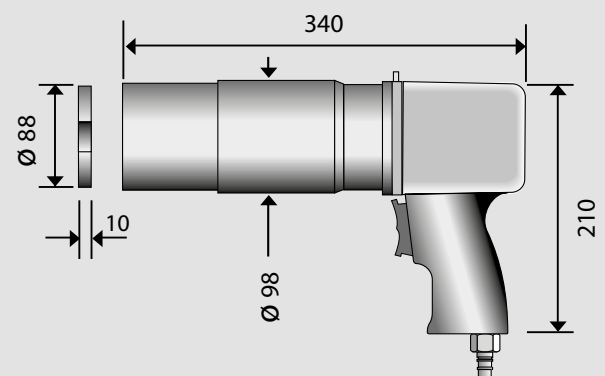
| Type | Ref. No. |
|-------------------------|----------|
| Conical brush St-1.4401 | 18041 |
| Conical brush plate | 18042 |

alkitronic® EAB



Dimensions [mm]

alkitronic® CLB



Dimensions [mm]

alkitronic®

YOUR PLUS FOR MORE PERFORMANCE

Increased quality

Premium production
Highest quality materials
Long product life cycles
Experience in bolting technology since 1984
Made in Germany – international patents

Increased precision

Precise, customer-specific torques
High repeatability
Reliability in permanent operation
Dokumentation of tightening results
Automatic shut-off

Increased productivity

Quicker tightening without reworking
No environmentally caused failures (IP54, ATEX)
High work safety
Easy to use: clear, simple instructions
Low maintenance and cost efficient

Better service

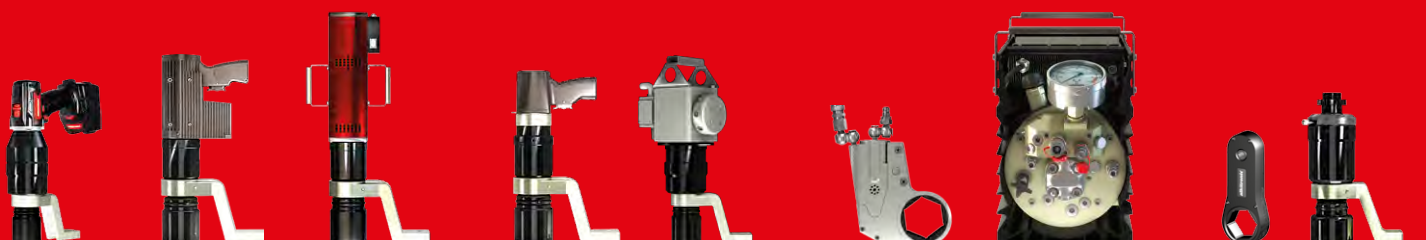
Technical advice on site
Training offers
Manufacturer's calibration and certification
Lifecycle support
Spare part and repair service

alki TECHNIK GmbH

Development, Production and Distribution of Bolting Systems

Unterlettenweg 4 – 85051 Ingolstadt/Germany – fon +49 841 97499-0 – fax +49 841 97499-90
info@alkitronic.com – www.alkitronic.com

EXTRACT FROM OUR PRODUCT RANGE



Electric Torque Multiplier

Pneumatic Torque Multiplier

Hydraulic Wrenches and Pumps

Manual Torque Multiplier